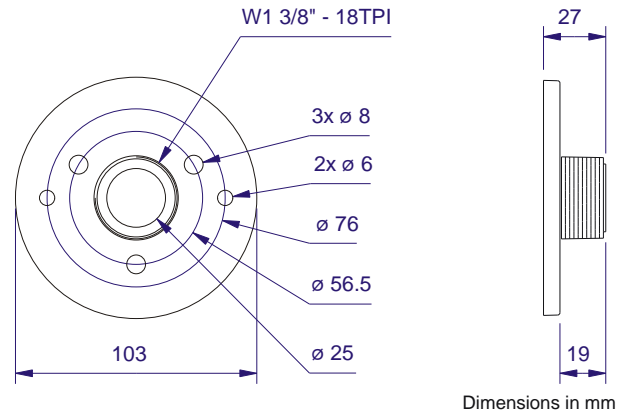


ADM 25-25

ADM25-25 is a flange injected in high-resistance aluminum alloy, treated with epoxy paint, with the objective of adapting drivers on horns with female screw thread 1 3/8" and 18 wires/inch.

TECHNICAL SPECIFICATIONS

Driver throat diameter.....	25 (1)	mm (in)
Horn throat diameter.....	25 (1)	mm (in)
Material.....	Aluminum	
Net weight.....	97 (0.21)	g (lb)



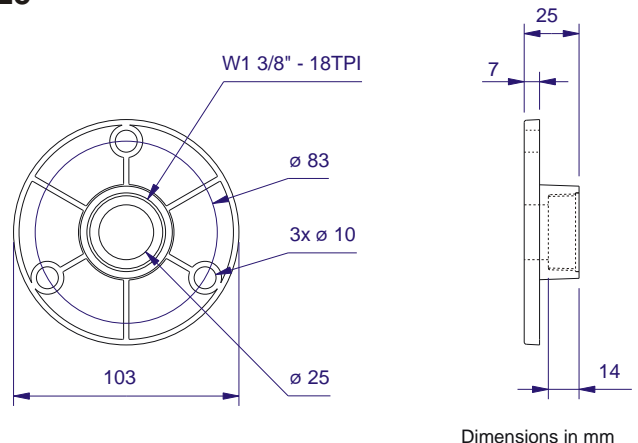
Dimensions in mm

ADF25-25

ADF25-25 is a flange injected in high-resistance engineering plastic, with black pigment, with the objective of adapting drivers on horns with flange of 1" throat diameter.

TECHNICAL SPECIFICATIONS

Driver throat diameter.....	25 (1)	mm (in)
Horn throat diameter.....	25 (1)	mm (in)
Material.....	Plastic	
Net weight.....	50 (0.11)	g (lb)



Dimensions in mm